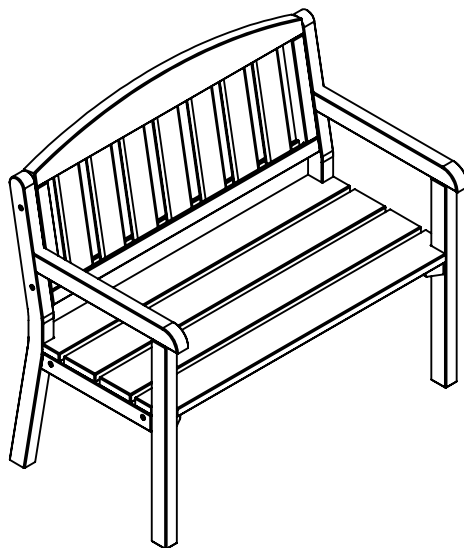
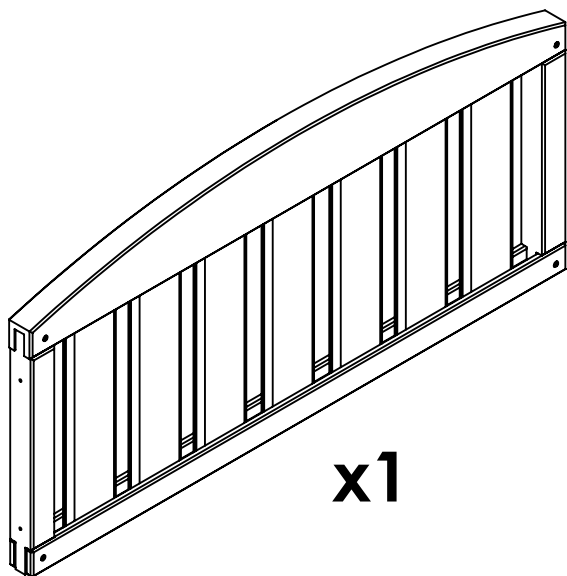


253070

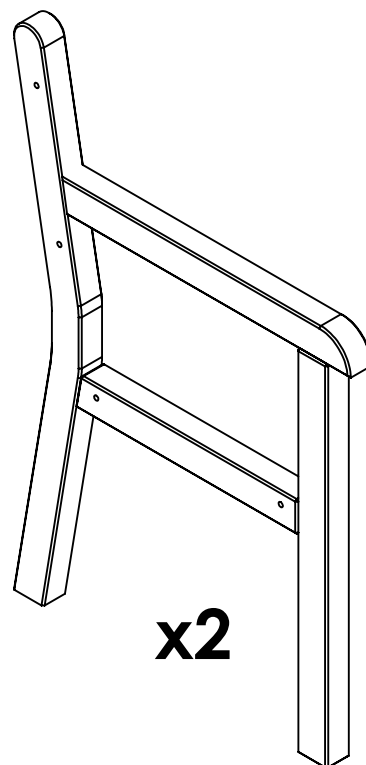
1 / 2



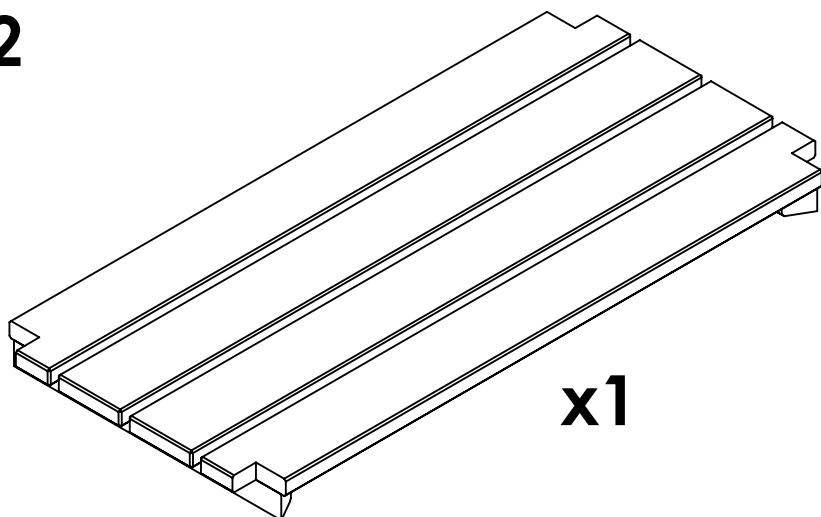
1



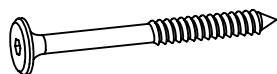
3



2



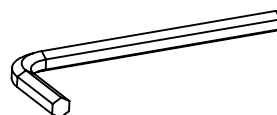
A



6x70

x8

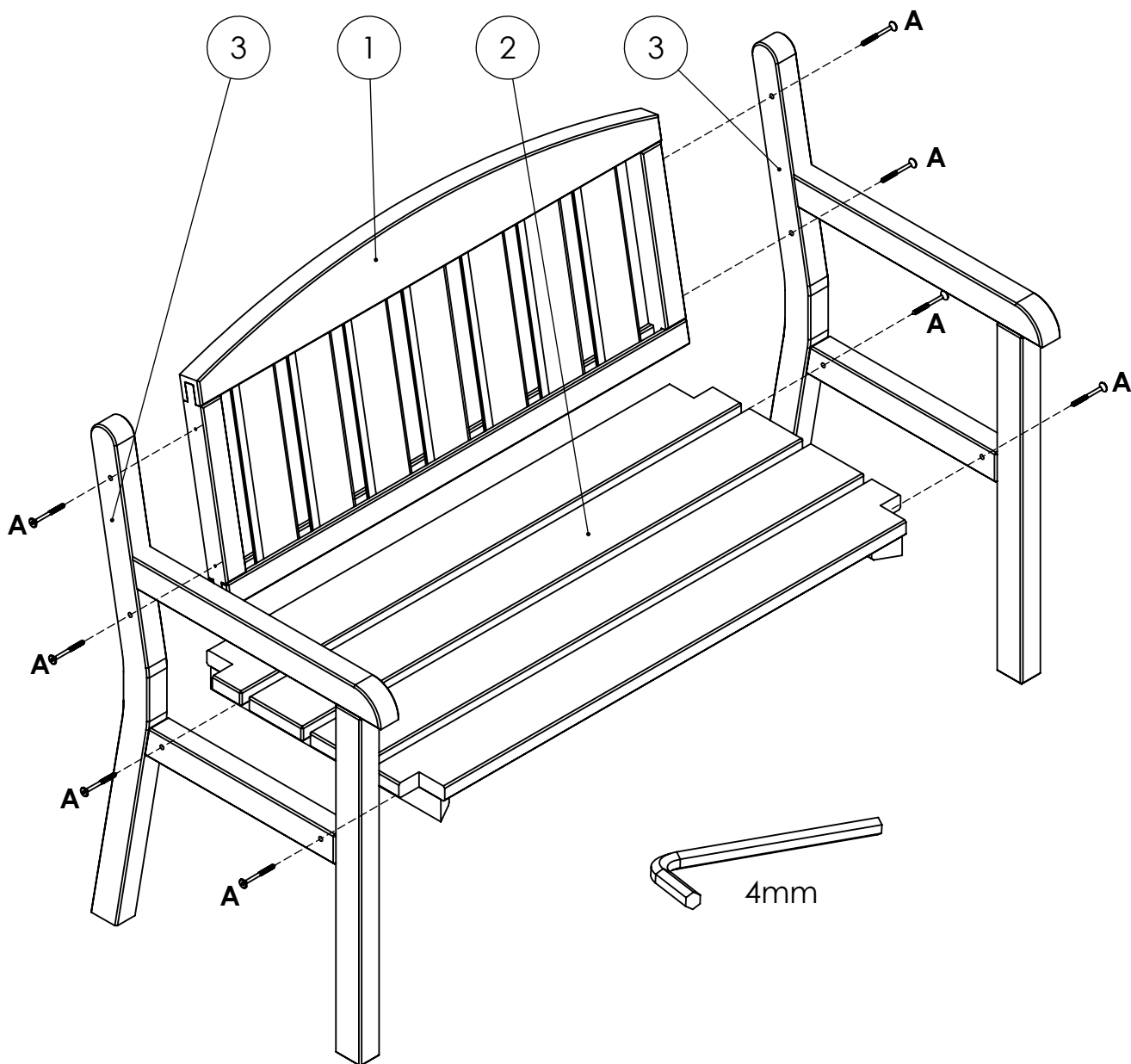
B

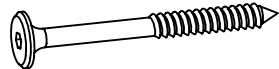


4mm

x1

1



A		6x70	x8
----------	---	-------------	-----------